

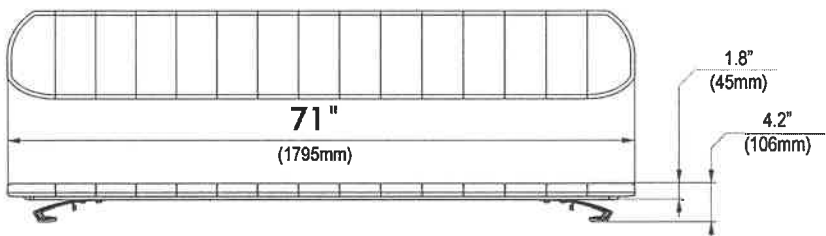
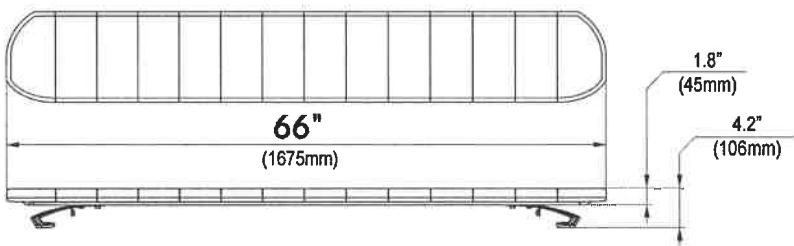
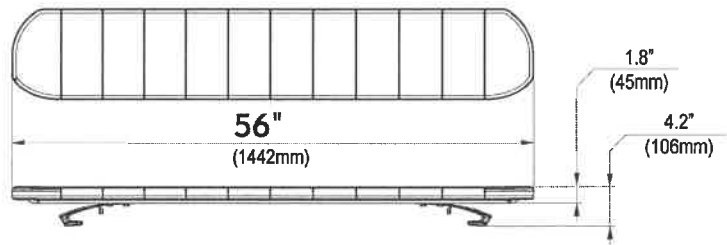
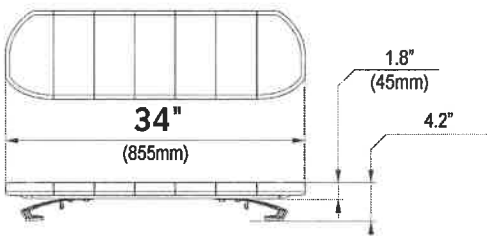
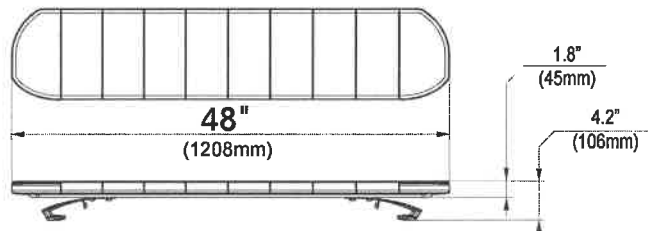
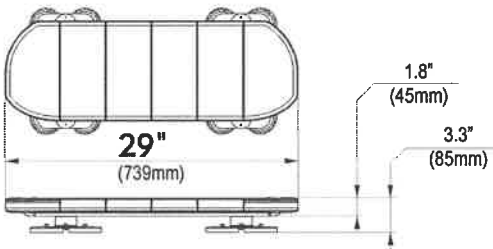
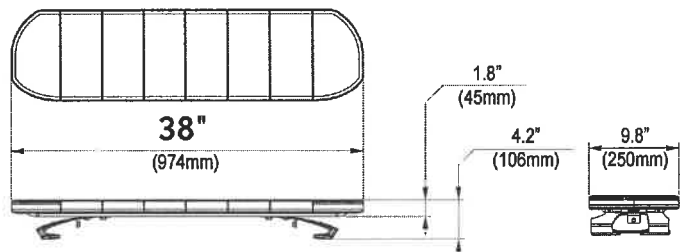
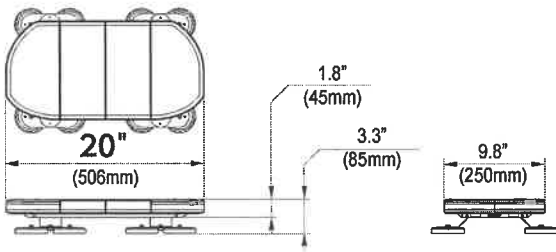
**911 SIGNAL<sup>®</sup>**



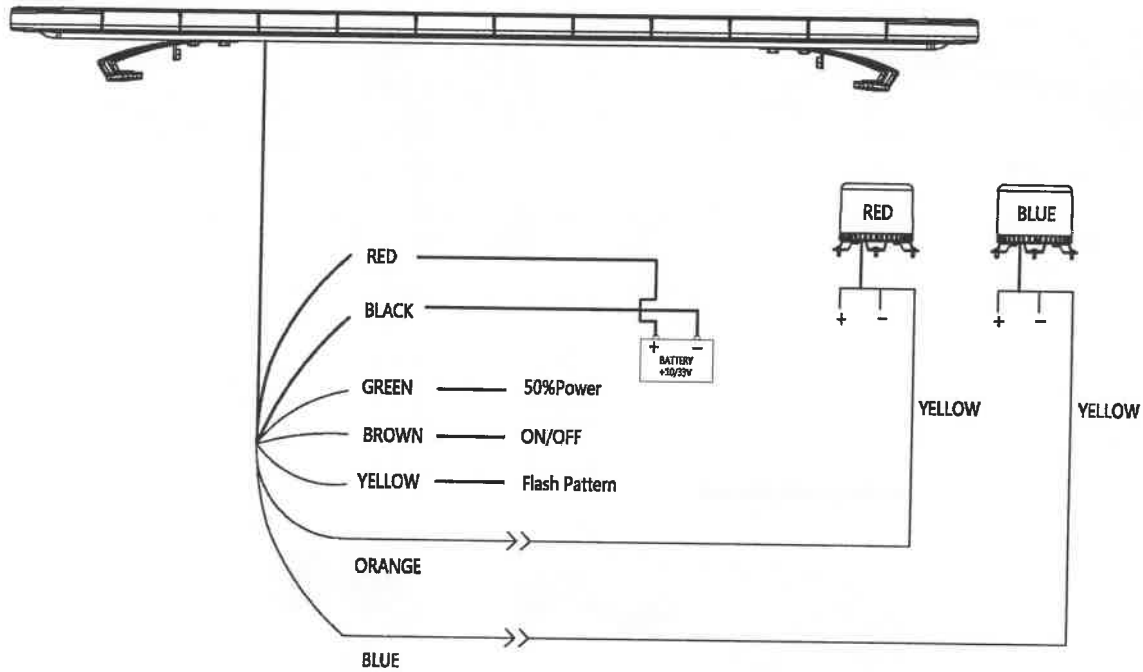
# ***SKYLINE AIR***

## **INSTALLATION, MAINTENANCE & SERVICE MANUAL**

# Product Specifications



# Wiring



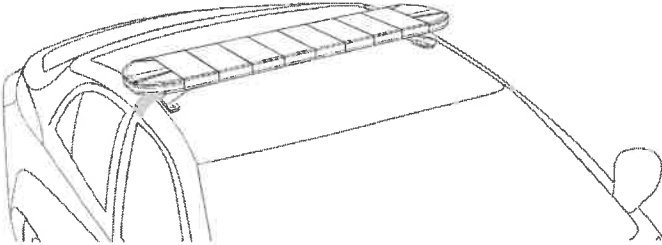
## Flash Patterns

- |                                     |  |
|-------------------------------------|--|
| 1. 125PCM ECE R65 (Split) (Default) |  |
| 2. Random                           |  |
| 3. 125PCM ECE R65 Rotator           |  |
| 4. 125PCM ECE R65 Diagonal          |  |
| 5. 125PCM ECE R65 single (ALL)      |  |
| 6. 125PCM ECE R65 Double (ALL)      |  |
| 7. 125PCM ECE R65 single (Split)    |  |
| 8. 75PCM Single (ALL)               |  |
| 9. 75PCM Double (ALL)               |  |
| 10. 75PCM Quad (ALL)                |  |
| 11. 75PCM Quint (ALL)               |  |
| 12. Single-Quad (ALL)               |  |
| 13. 75PCM Single (Split)            |  |
| 14. 75PCM Double (Split)            |  |
| 15. 75PCM Quad (Split)              |  |
| 16. 75PCM Quint (Split)             |  |
| 17. Single-Quad (Split)             |  |
| 18. 75PCM Single (I/O)              |  |
| 19. 75PCM Double (I/O)              |  |
| 20. 75PCM Quad (I/O)                |  |
| 21. 75PCM Quint (I/O)               |  |
| 22. 75PCM Single (Split1)           |  |
| 23. 75PCM Double (Split1)           |  |
| 24. 75PCM Quad (Split1)             |  |
| 25. 75PCM Quint (Split1)            |  |
| *26. 75PCM Single (Split2)          |  |
| *27. 75PCM Double (Split2)          |  |
| *28. 75PCM Quad (Split2)            |  |
| *29. 75PCM Quint (Split2)           |  |

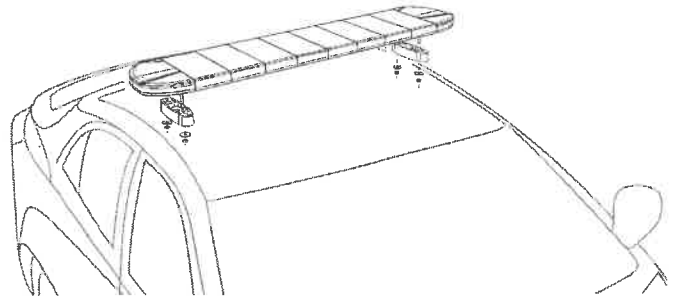
\* These four flash patterns not included with the 10-module configuration.  
 • Flash Patterns Reset: Press and hold MODE switch more than 5 seconds, Alley light will Steady on.

# Mounting

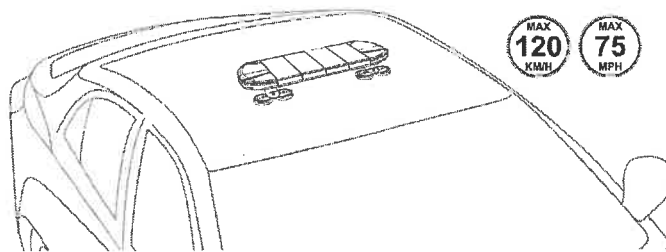
**a. Gutter Mount**



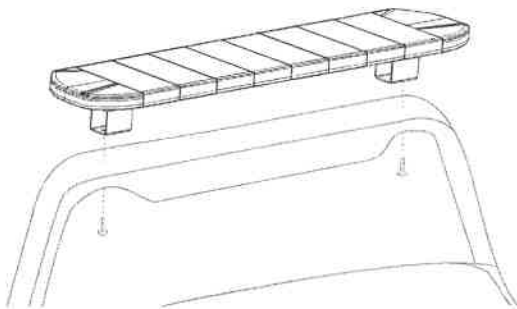
**b. Direct/Bolt Mount**



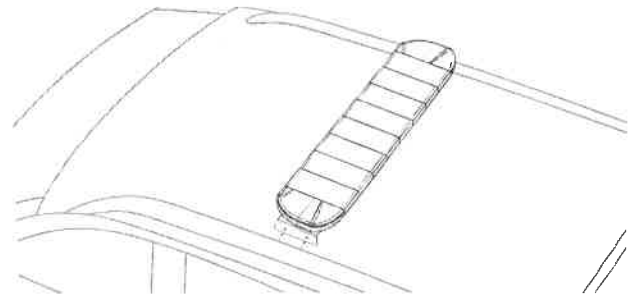
**c. Magnetic Mount**



**d. Roof One-Point Mount**

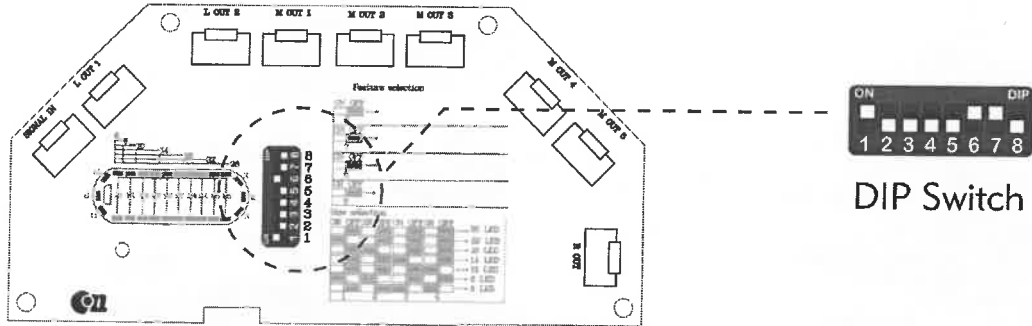


**e. Roof Rail Mount**



**Frequently check to ensure the physical integrity and proper tightness of mounting hardware**

# Lightbar Mode Selection

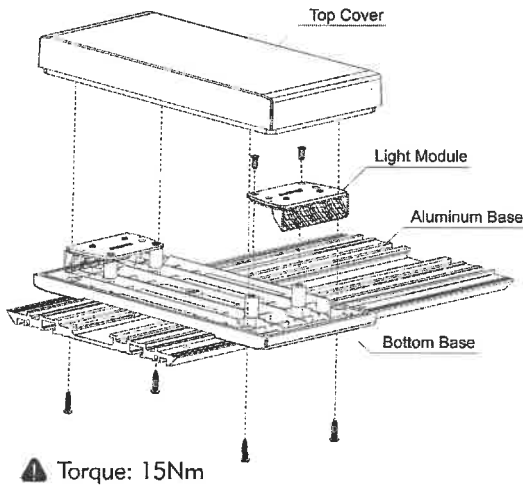


Length Area	Image	DIP Switch	Function Area	
			Wire Color	Function
20" (506mm)			Brown Wire: ON / OFF Yellow Wire: Mode Blue Wire: Left arrow Orange Wire: Right arrow	Green Wire: TD White Wire: Alley Light
29" (739mm)			Brown Wire: ON / OFF Yellow Wire: Mode Blue Wire: Left arrow Orange Wire: Right arrow	Green Wire: 50% Power White Wire: Alley Light
38" (974mm)			Brown Wire: ON / OFF Yellow Wire: Mode Blue Wire: Left arrow Orange Wire: Right arrow	Green Wire: TD White Wire: White Light Steady
48" (1208mm)			Brown Wire: ON / OFF Yellow Wire: Mode Blue Wire: Font Cut Orange Wire: Rear Cut	Green Wire: TD White Wire: Alley Light
56" (1442mm)			Brown Wire: ON / OFF Yellow Wire: Mode Blue Wire: Left arrow Orange Wire: Right arrow	Green Wire: 50% Power White Wire: White Light Steady
			Brown Wire: ON / OFF Yellow Wire: Mode Blue Wire: Font Cut Orange Wire: Rear Cut	Green Wire: 50% Power White Wire: Alley Light
			Brown Wire: ON / OFF Yellow Wire: Mode Blue Wire: Font Cut Orange Wire: Rear Cut	Green Wire: 50% Power White Wire: White Light Steady

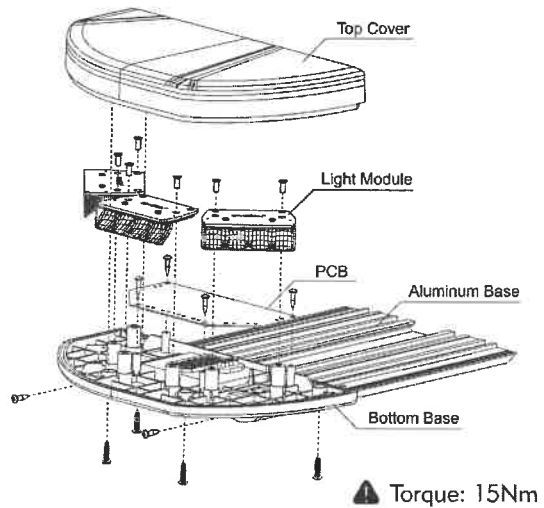
\* Factory default setting.

# Maintenance

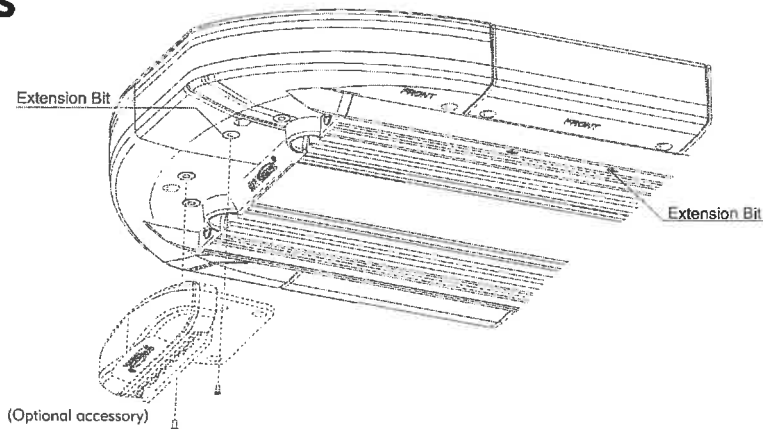
## 1. Light Module Replacement



## 2. PCB Replacement



# Extensions



# Warranty

911Signal warrants that under normal use the product will be defect-free, with respect to materials and workmanship, for a two-year period from original date of purchase. In the event of a suspected defect, please contact 911Signal customer support ([www.911signal.com](http://www.911signal.com)) for assistance. At it's option, 911Signal's obligations will be solely limited to product repair or replacement. Warranty does not apply to cases of damage due to misuse, accident, or normally-expected wear. Due to possible errors in resealing, this product is not warranted against leaking of the waterproof housing or any resulting damage. All warranties implied with respect to merchantability or fitness for a particular use are expressly limited to the warranty duration.

911Signal disclaims all other warranties or conditions whether expressed or implied.

To the full extent not prohibited by law 911Signal will in no event be liable for any revenues, profits, or damages, whether indirect, incidental, or punitive and however consequential, arising out of or relating to inability to use the product. This will hold even should 911Signal be advised as to the possibility of damages, and in no event will 911Signal's liability exceed the amount customer has paid to purchase the product.

Limitations or exclusions listed above may not apply for particular customers, as certain jurisdictions disallow implied warranty limitations with respect to term validity, or the exclusion or limitation of incidental or consequential damages. This warranty imparts specific legal rights, and perhaps others, depending on jurisdiction.